

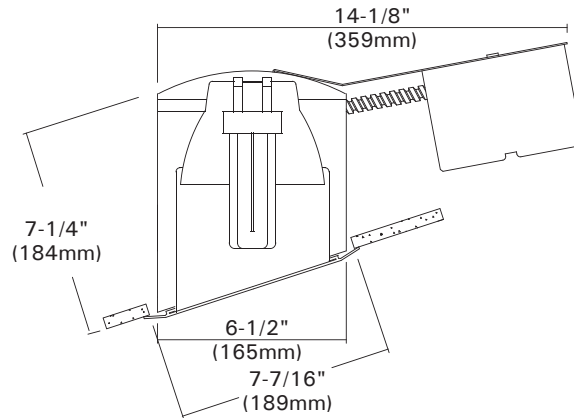
DLF-906R/ICF-806R

6" NON-IC/IC Remodel Housing For Sloped Ceiling

18W, 26W or 32W DTT/TTT Lamps

Catalog #		Type
Project		Date
Prepared by		

FLUORESCENT



Oval Ceiling Cut-out : 7-1/16x6-7/8"
Lamp,Max,Watt. : 32W

DESCRIPTION & APPLICATION

The DLF-906R & ICF-806R are designed for sloped ceiling installations for ceilings with 2/12 to 6/12 pitch. They are 6" aperture frame-in kits for (1) vertical CFL lamps. The DLF-906R & ICF-806R are designed for insulated ceilings and can be in direct contact with insulation material.

DESIGN FEATURES

◦ Housing

- Single wall aluminum housing
- 7-1/4" height allows use in 2"X8" or 2" X10" joist construction.
- Housing adjusts for ceilings up to 1/2" thick.

◦ Junction Box

- Listed for through branch circuit wiring.(Max.8 No 12 AWG 90°C branch circuit conductors. (4 in, 4 out)
- (5)1/2" knockouts with true pry-out slots and (4) knockouts with Romex cable clamp.
- Ground wire provided on J-box.

◦ Mounting Frame

- Galvanized steel construction.
- 12"L x 7-5/8"W

◦ Remodel Clips

- 4 remodel clips secure housing and accommodates 1/2" and 5/8" ceiling materials.

◦ Socket

- G24Q/GX24Q socket for use 4 pin DTT, TTT lamps.

◦ Lamp

- Compact Fluorescent lamps.
 - * DTT-Double twin tube (Quad/CFQ)
 - (1) 18W DTT (4 pin)
 - (1) 26W DTT (4 pin)
 - * TTT-Triple Twin Tube (CFTR)
 - (1) 26W TTT (4 pin)
 - (1) 32W TTT (4 pin)

◦ Ballast

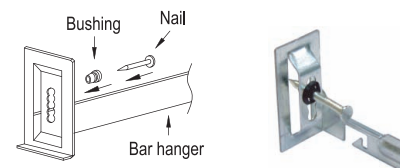
- Class P Thermally protected by internal fuse (3 amp fast blow), Multi-volt electronic ballast or thermal cut-out switch in magnetic ballast.
- High Power Factor Multi-volt Electronic ballasts for 4 pin type compact fluorescent lamps or Magnetic ballast for 2 pin lamps mounted on J-box door for easy access from inside of fixture.

* Listing

- UL, c-UL listed for damp location.
- UL, c-UL listed for feed through.

• Just-A-Nail

Adjustable nail hanger bar for easy alignment.



JUST-A-NAIL

• Optional "Quick Connect" Push-in wire connectors.

- Three "Quick Connectors"
- Pre-installed push-in wire connectors for fast and easy wiring.

Ordering Information

Housing	Ballast	Lamp(s) Watt.	Option
<input type="text"/> DLF-906R ICF-806R	<input type="text"/> -N : 120V NPF Magnetic -H : 120V HPF Magnetic -NE : 120V NPF Electronic -HE : 120V HPF Electronic	<input type="text"/> -E : 120V/277V HPF Electronic 118 : (1)18W 126 : (1)26W 132 : (1)32W	<input type="text"/> -EM : Emergency w/ Remote Test Switch -C : Quick Connectors

Example : DLF-906R-NE126

Trims

6" Compact Fluorescent Trims For

DLF-906, DLF-906R, ICF-806, ICF-806R, ICF-906AT

Catalog #		Type
Project		Date
Prepared by		

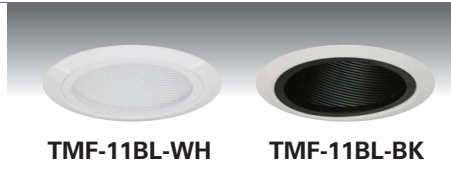
INCANDESCENT

TMF-11BL

Slope Baffle with Upper Reflector

NON-IC, IC : 32W TTT
ICF-906AT : 42W TTT

White Plastic Trim Ring
O.D : 7-7/8"



TMF-11BL-WH

TMF-11BL-BK

TM-6/TM-6P

Shower Drop Opal Lens

NON-IC, IC : 32W TTT
ICF-906AT : 32W TTT

White Metal Trim Ring
O.D : 8-1/8"
*Symbol (P) is for Lexan Trim



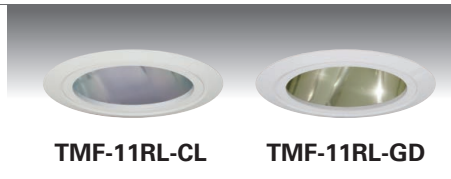
TM-6-WH

TMF-11RL

Slope Reflector with Upper Reflector

NON-IC, IC : 32W TTT
ICF-906AT : 42W TTT

White Plastic Trim Ring
O.D : 7-7/8"



TMF-11RL-CL

TMF-11RL-GD

TM-7/TM-7P

Shower Albalite Lens

NON-IC, IC : 26W TTT
ICF-906AT : 26W TTT

White Metal Trim Ring
O.D : 8-1/8"
*Symbol (P) is for Lexan Trim



TM-7-WH

TM-5/TM-5P

Shower Fresnel Lens

NON-IC, IC : 26W TTT
ICF-906AT : 26W TTT

White Metal Trim Ring
O.D : 8-1/8"
*Symbol (P) is for Lexan Trim



TM-5-WH

TM-5-CT/TM-5P-CT

Frosted Lens w/Clear Center

NON-IC, IC : 26W TTT
ICF-966AT : 26W TTT

White Metal Trim Ring
O.D : 8-1/8"
*Symbol (P) is for Lexan Trim



TM-5-WH-CT

ORDERING INFORMATION

Choose the catalog / finish codes that best suit your needs and enter it on the appropriate line.

TRIM MODEL	REFLECTOR	BAFFLE	METAL RING
	CL :Clear	WH :White	WH :White
	WH :White	BK :Black	BK :Black
	GD :Gold	SN :Satin Nickel	SN :Satin Nickel
	MA :Matte Platinum	AN :Antique Nickel	AN :Antique Nickel
	CP :Champagne	AC :Antique Copper	AC :Antique Copper
	PR :Pewter	MO :Mocha	MO :Mocha
	HC :Haze Clear	CA :Cappuccino	CA :Cappuccino
		CH :Chrome	CH :Chrome
		UN :Natural Steel	UN :Natural Steel
		PB :Polished Brass	PB :Polished Brass

Examples:

TMF-11BL-WH/WO = White Trim Ring w/ White Slope Baffle
TM-6-WH = Drop Opal Lens w/ White Metal Trim Ring